



ALU Casement Window

The ALU Casement window is a modern, contemporary style window that features a 70mm deep thermally broken outer frame profile. Available in a slim or heavy duty sash profile and glazing depths of upto 44mm the casement is the perfect choice for residential or commercial projects.

- Whole Window U values as low as 1.0 W/m²K achievable
- Max Sash Size of 1800mm x 1800mm
- Maximum Sash weight = 100Kg
- Top Hung or Side Hung Open Out Openings available
- Wide range of RAL colour options available including dual colour.
- Stock colours available in White & Anthracite Grey (RAL 7016 MATT)
- Tested to Security Standard PAS 24:2016
- Maximum accoustic insulation $R_w = 45\text{dB}$
- 10 Year Guarantee on frames



Technical Data

U Values

U Glass (W/m ² K)	0.6	0.7	0.8	0.9	1.0	1.1	1.2
U Overall (W/m ² K)	1.1	1.2	1.3	1.4	1.5	1.6	1.7

Weather & Security Ratings

Wind Resistance: BS EN 12210:2000 Class CE 2400
Water Tightness: BS EN 12208:2000 E1200
Air Permeability: BS EN 12207:2000 Class 4
Security Test: PAS 24: 2016

Acoustic Insulations

- Maximum glazing 44mm
- Maximum acoustic insulation $R_w=45$ dBA

Limitations

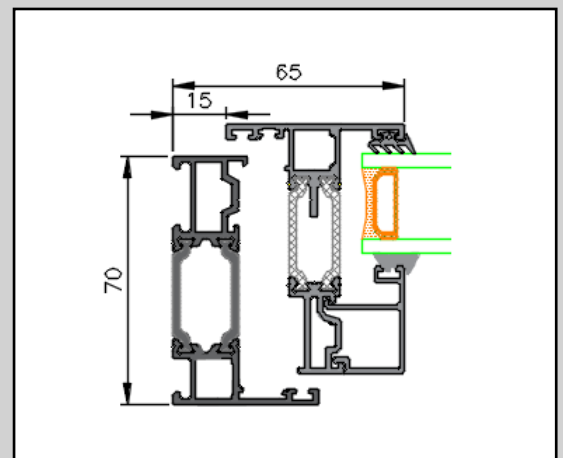
Sash Type	Opening Type	Max Sash Width	Max Sash Height	Max Weight Per Sash
Slim Sash	Side Hung	700mm	1300mm	35Kg
	Top Hung	1200mm	1300mm	50Kg
Heavy Duty Sash	Side Hung	750mm	1750mm	42Kg
	Top Hung	1800mm	1800mm	100Kg

Options

- Handles available in : White, Black, Chrome, Satin, Graphite or RAL7016M



Slim Sash Profile



Heavy Duty Sash Profile

