



ALU Heritage Windows and Doors

The Heritage range provides the ideal solution for heritage applications such as listed building renovations and large scale replica-refurbishment projects where planning constraints are to be considered.

The window is designed to replicate the look of an existing single glazed, steel window, featuring the elegant slim sightlines and small profile depth -all whilst giving the performance of a modern day window featuring thermal break profile and double glazed units.

- Fixed windows
- Single or double sash, side hung open out casements
- Top hung open out casements
- Polyamide thermal break provides enhanced thermal performance
- Designed as a direct replacement for steel windows

Opening Possibilities



Technical Data

U Values

U Glass (W/m ² K)	0.9	1	1.1	1.2
U Overall (W/m ² K)	1.4	1.5	1.6	1.6

Weather & Security Ratings

Wind Resistance: BS EN 12210:2000 Class AE

Water Tightness: BS EN 12208:2000 Class 9A

Air Permeability: BS EN 12207:2000 Class 4

Security Test: PAS24:2012

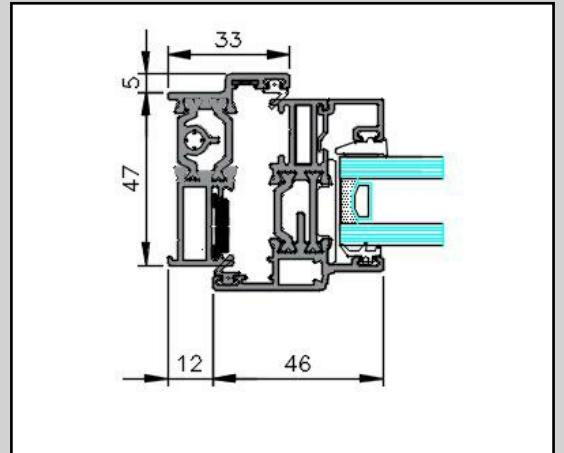
Acoustic Insulations

- Maximum glazing 36mm
- Maximum acoustic insulation $R_w=40$ dBA

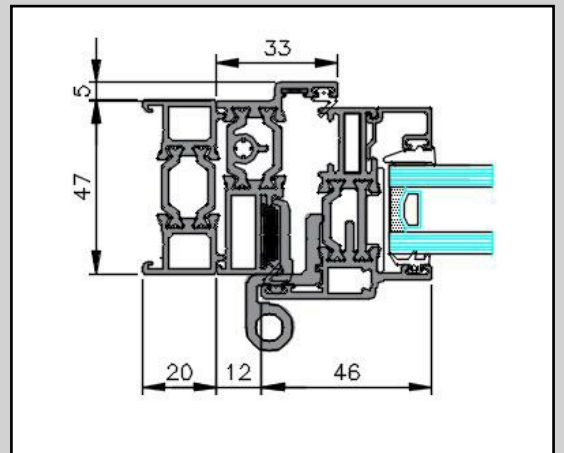
Opening Type	Max Sash Width	Max Sash Height	Max Weight Per Sash
Side Hung	700mm	1400mm	40kg
Top Hung	1400mm	1300mm	35kg
Single Door	900mm	2100mm	60kg



Window Jamb Section



Door Jamb with optional Add-On



Door Transom Section

