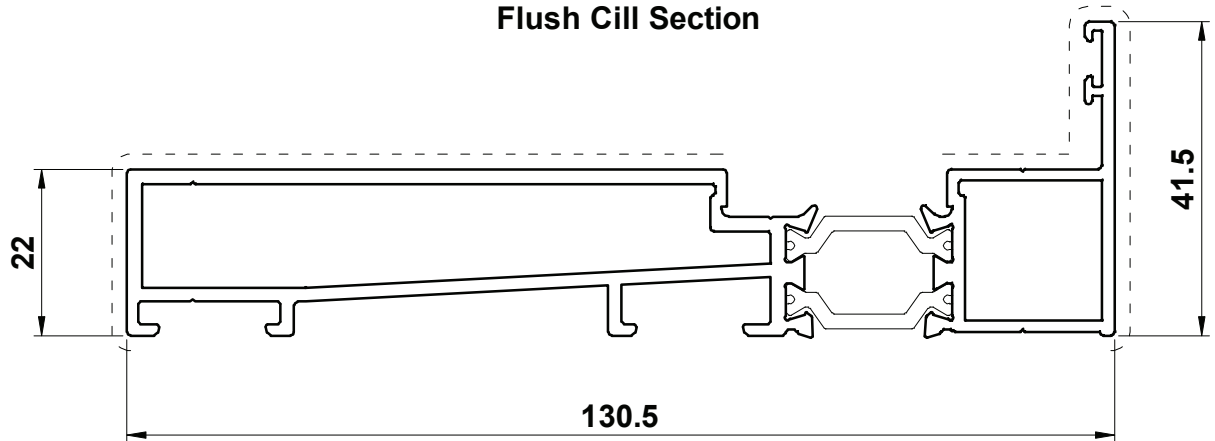


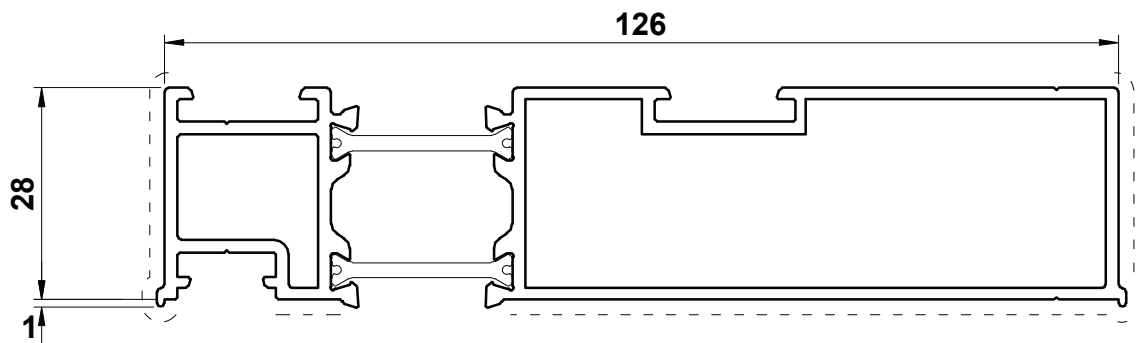
Primary Visible Side

Secondary Visible Side

VS010
Flush Cill Section



VS011
Head Section

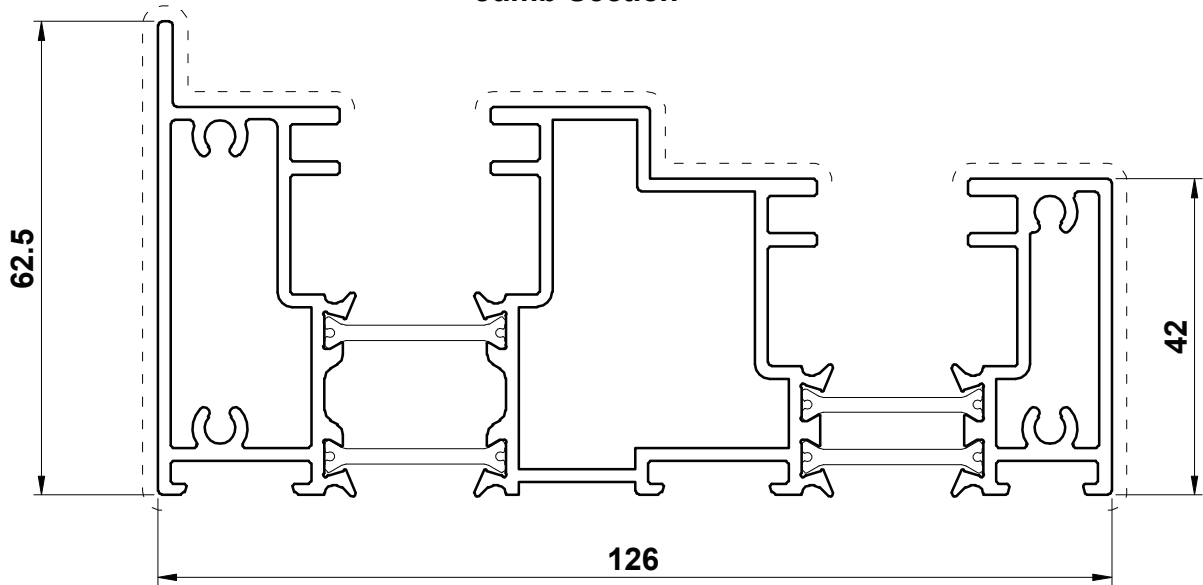


Scale 1:1

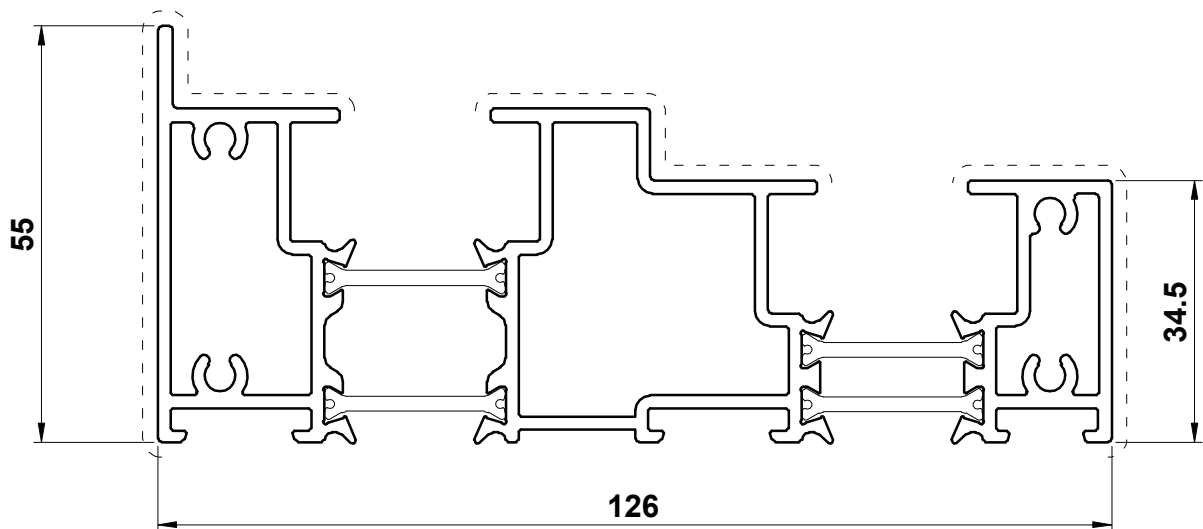
Primary Visible Side

Secondary Visible Side

VS012
Jamb Section



VS112
Slim Jamb Section



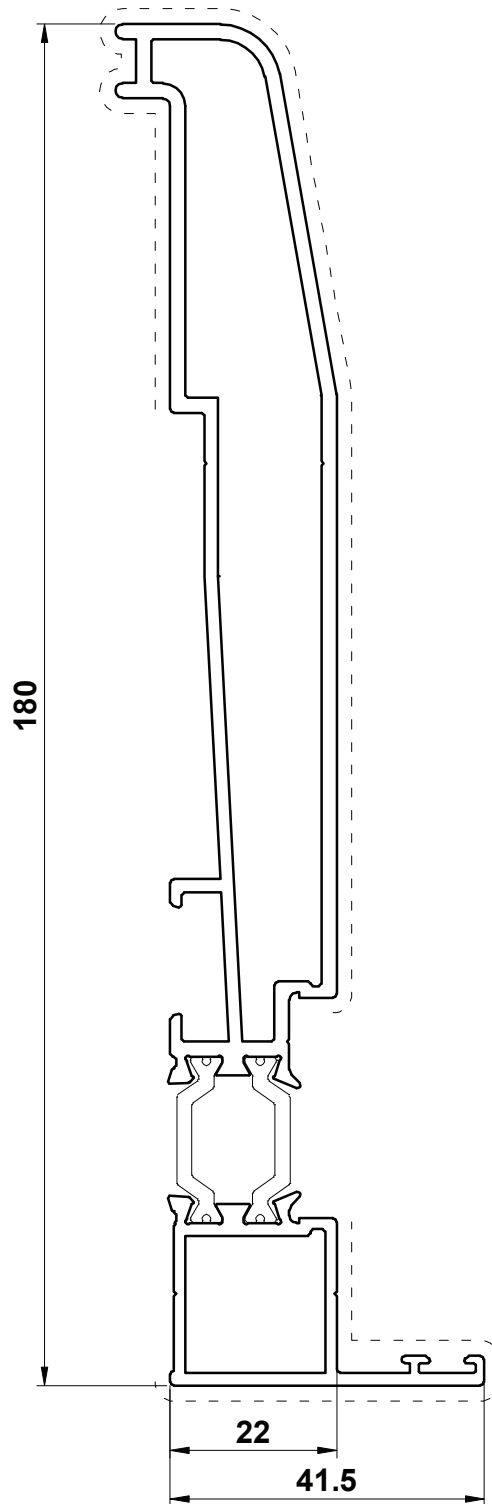
Scale 1:1

Primary Visible Side

Secondary Visible Side

VS110

180mm Cill Section



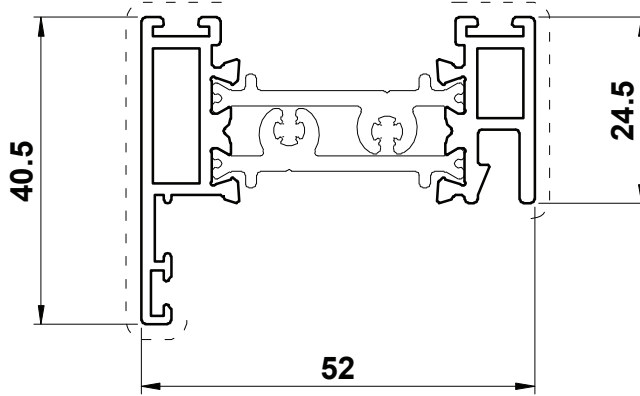
Scale 1:1

Primary Visible Side

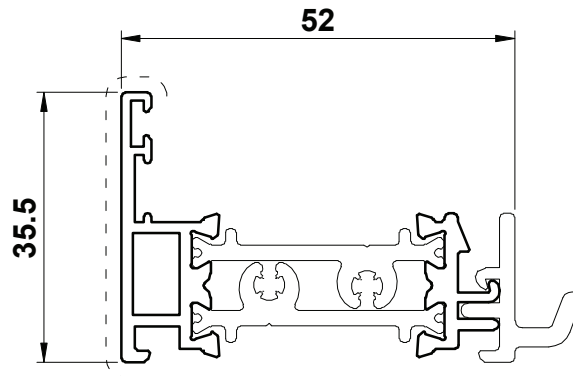
Secondary Visible Side

VS020

Top Rail of Top Sash &
Bottom Rail of Bottom Sash

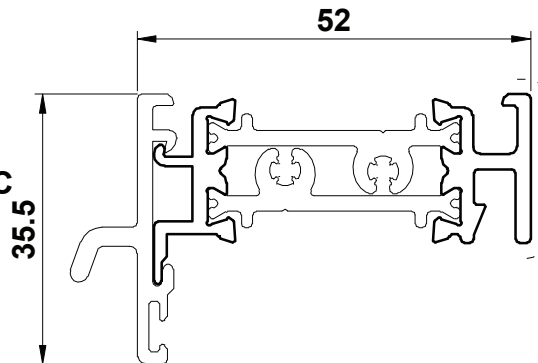


VS021
Bottom Rail
of Top Sash



VS031
External Interlock PVC
Black Only

VS032
Internal Interlock PVC
Black Only



VS022
Top Rail
of Bottom Sash

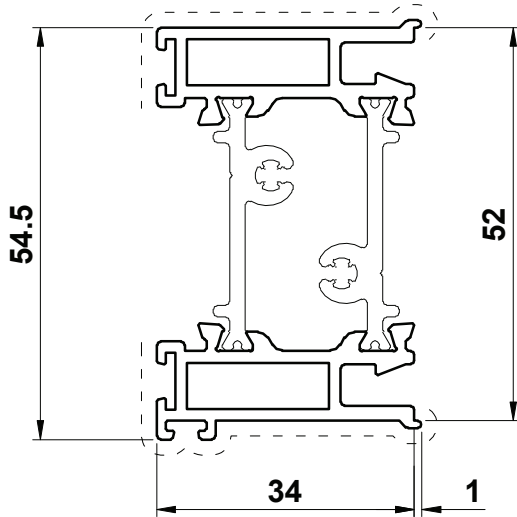
Scale 1:1

Primary Visible Side

Secondary Visible Side

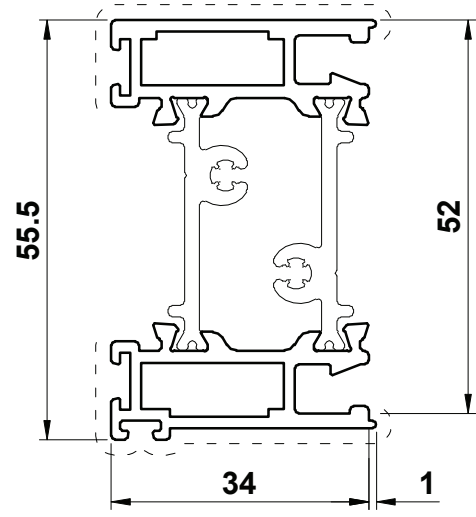
VS023

Vertical Member
of Bottom Sash



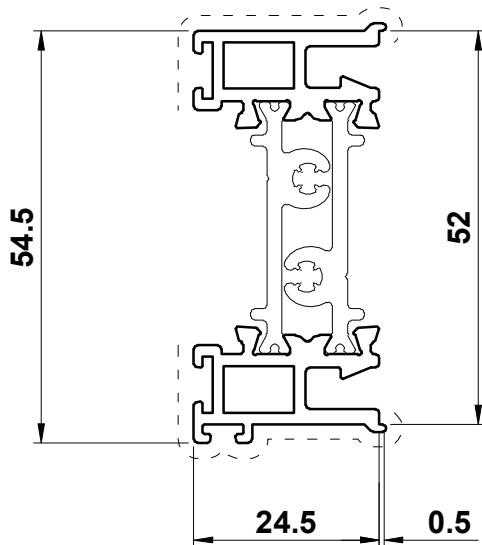
VS123

Flat Vertical Member
of Bottom Sash



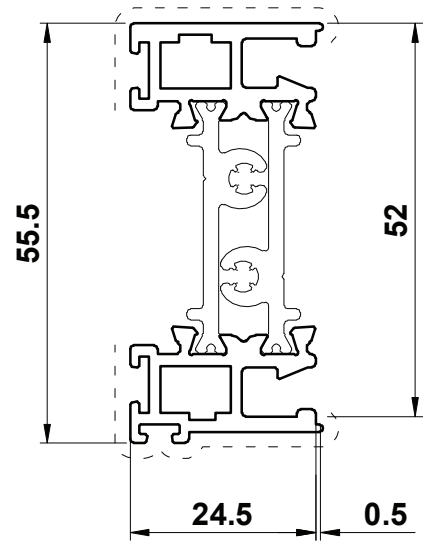
VS024

Vertical Member
of Top Sash



VS124

Flat Vertical Member
of Top Sash



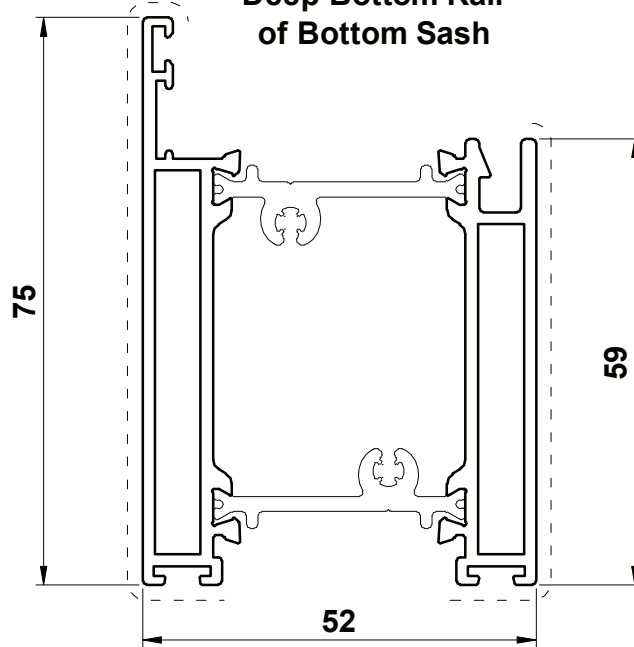
Scale 1:1

Primary Visible Side

Secondary Visible Side

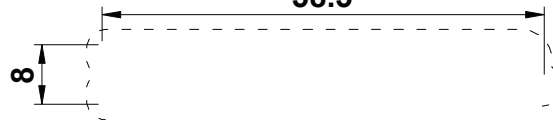
VS025

Deep Bottom Rail
of Bottom Sash



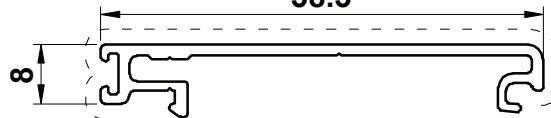
VS030N

Interlock Cap
58.5



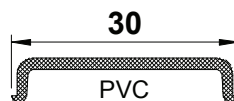
VS130

Flat Interlock Cap
58.5



EF422

Cill Insert Strip



Scale 1:1