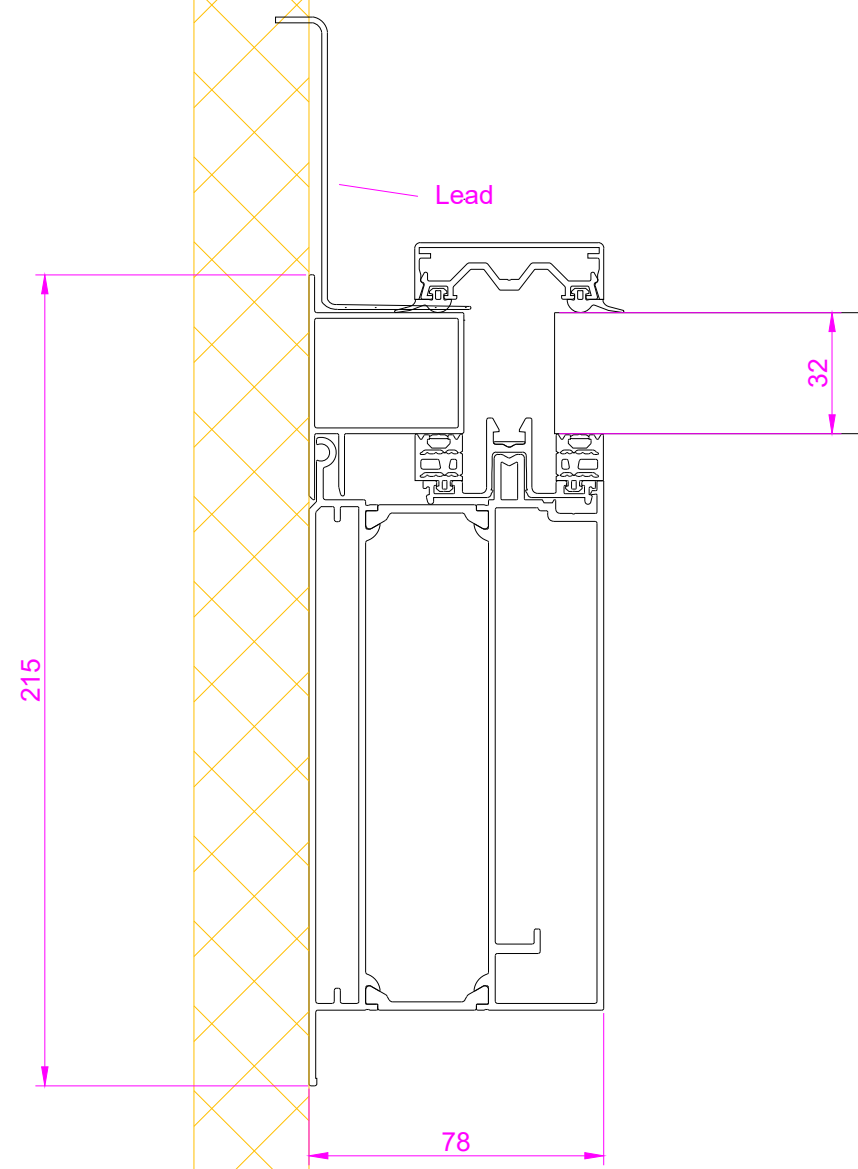


End Rafter Section - Abutting house wall



End Rafter Section - Abutting Tiled Roof

